

**IMPORTANT CAUTIONS AND WARNINGS**

- Don't use near Flammable's and heater.
- Don't use long hours in rain or places that the product may get wet.
- Don't expose to direct sunlight, we advise that you don't store or use it in a vehicle.
- The product will heat up when you use the product for a long period of time. In this case, off the product's switch and don't use anymore.
- Cool the LED before you store the product.
- Use the product only in the temperature range of -10°C ~ 40°C.
- Use private article for power and control system If you use other product their may be problem.
- Don't touch the LED panel with hands directly.
- Don't touch with wet hands.(Risk of electric shock)
- Keep out of infants & kids.

**WARRANTY COVERAGE**

- If product failure is detected while normal use of the product during the guarantee period of quality, we will repair the product free of charge.
- Guarantee period of quality : 1year

**EXCLUSIONS AND LIMITATION of LIABILITY**

We reserves the rights to refuse warranty service under disputable conditions. And we also holds the rights to declare final decision whether products are within warranty. The following actions and damages will result in voiding the limited warranty;

- Product failure after the guarantee period of quality.
- Product failure due to consumer's negligence.
- Product failure due to power trouble or faulty adapter.
- Product failure due to natural disaster.

**PROFOUND**

**Manufacturer / Supplier Information**

JIL LITE Inc.  
 Address : #202-1, 15, Gosanhuro-121beongil, Seogu, Incheon, KOREA  
 Tel : +82-70-5214-3707, +82-70-5214-3708  
 Fax : +82-32-564-9471  
 eMail : sales@profound.kr      Homepage : www.ProFound.kr

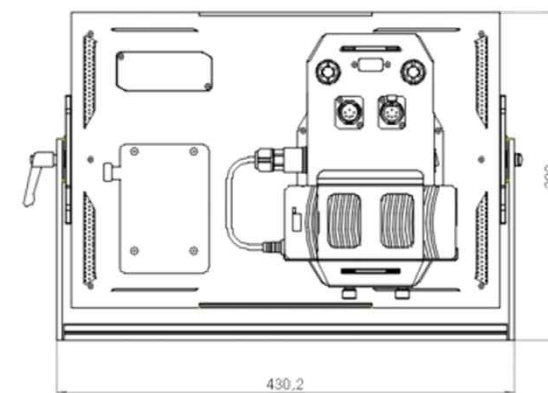
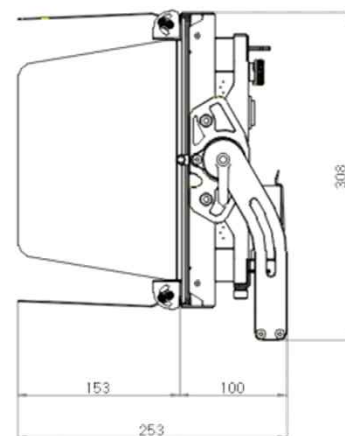
Baselight **PBL-120BIC**  
**Product Manual**



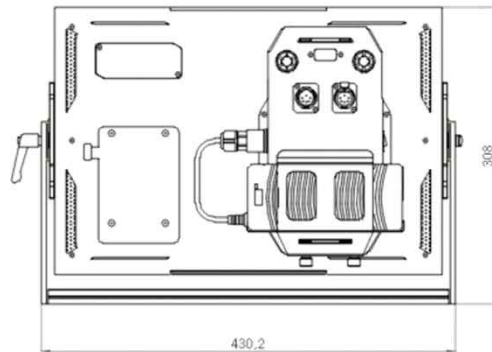
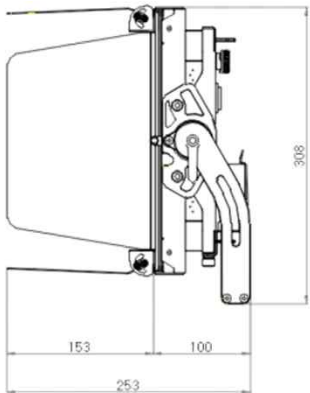
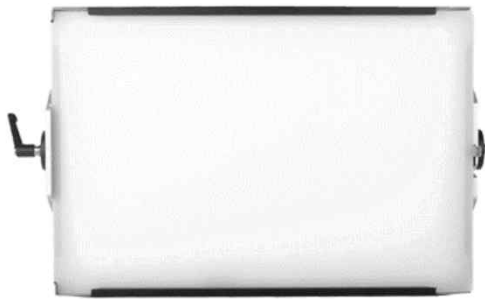
ProFound Baselight 120 model is a superior uniformed light source suitable for a wide variety of scenes where color temperature, soft-lighting field and output are critical, with its versatile design and feature likes of adjustable CCT between 2,900°K and 6,500°K and continuous dimming from 0% to 100%. Many extra accessories are also available for a more sensitive light control.

**● TECHNICAL SPECIFICATIONS**

<b>LED source</b>	Ultra High CRI LED x1,056ea(120W)
<b>Beam angle</b>	140°
<b>Color temperature</b>	2,800K and 6,500K continuously tunable
<b>CRI(Ra)</b>	Typ.97 (R9, R12 : 95)
<b>TLCI</b>	Typ.99
<b>Photometric data</b>	2,800K : 3,500lx@1m / 6,500K : 3,800lx@1m
<b>Dimming</b>	0~100% continuous (completely flicker-free)
<b>RDM(Remote Device Mgmt.)</b>	DMX Setup, Hour counter and Standard RDM commands
<b>Power supply</b>	Input range : 100 – 240VAC, 50~60Hz
<b>Weight</b>	2.6kg(w/o SMPS, Barndoor)



● **FEATURES**



● **ACCESSORIES(Optional)**



Barndoor

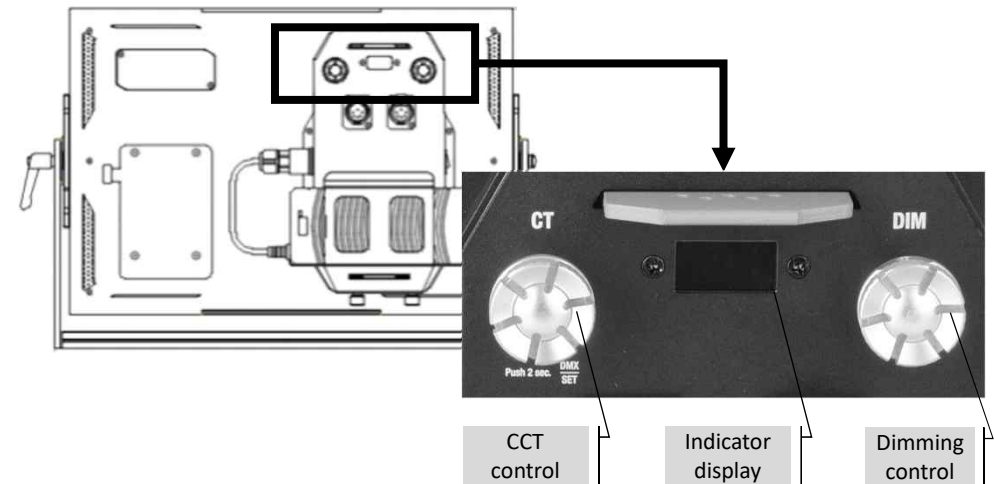
60°



40°

Grid

● **DIMMING FUNCTION**



**USER INTERFACE FOR CONTROL**

**1. Control dimming**

Turn the dimmer knob to adjust the brightness from 0 to 100%.  
The dimming step changes according to the turning speed.(1, 2, 5)

**2. Control CCT**

Turn the CT knob to adjust the color temperature from 2,800°K to 5,700°K.  
The step changes according to the turning speed.(10, 50, 100)

**3. Set DMX Ch.(Address)**

Press and hold the left switch for 2 seconds to display the DMX channel information.  
Turn the left switch(CT switch) to adjust the DMX address(Ch.) what you want. The channel step changes according to the turning speed.(1,5,10)

Press and hold the left switch for 2 second to save the set address(Ch.) and return to the main screen.

※ If the time for pressing the left switch does not exceed 2 seconds or if no action is taken, the address setting is canceled and return to the main screen.

**4. Auto-saving the adjusted values**

The values of color temperature and brightness are saved in the internal FLASH memory after 1 second of adjustment, and becomes the initial value at the next power-on.